



BECKER & WOLF

Vacuuming And Refrigerant Filling for BWHP200R290

Only to be carried out by a qualified and
trained Technician

V 2.4 2024

1

Machine disassembly

2

Vacuuming

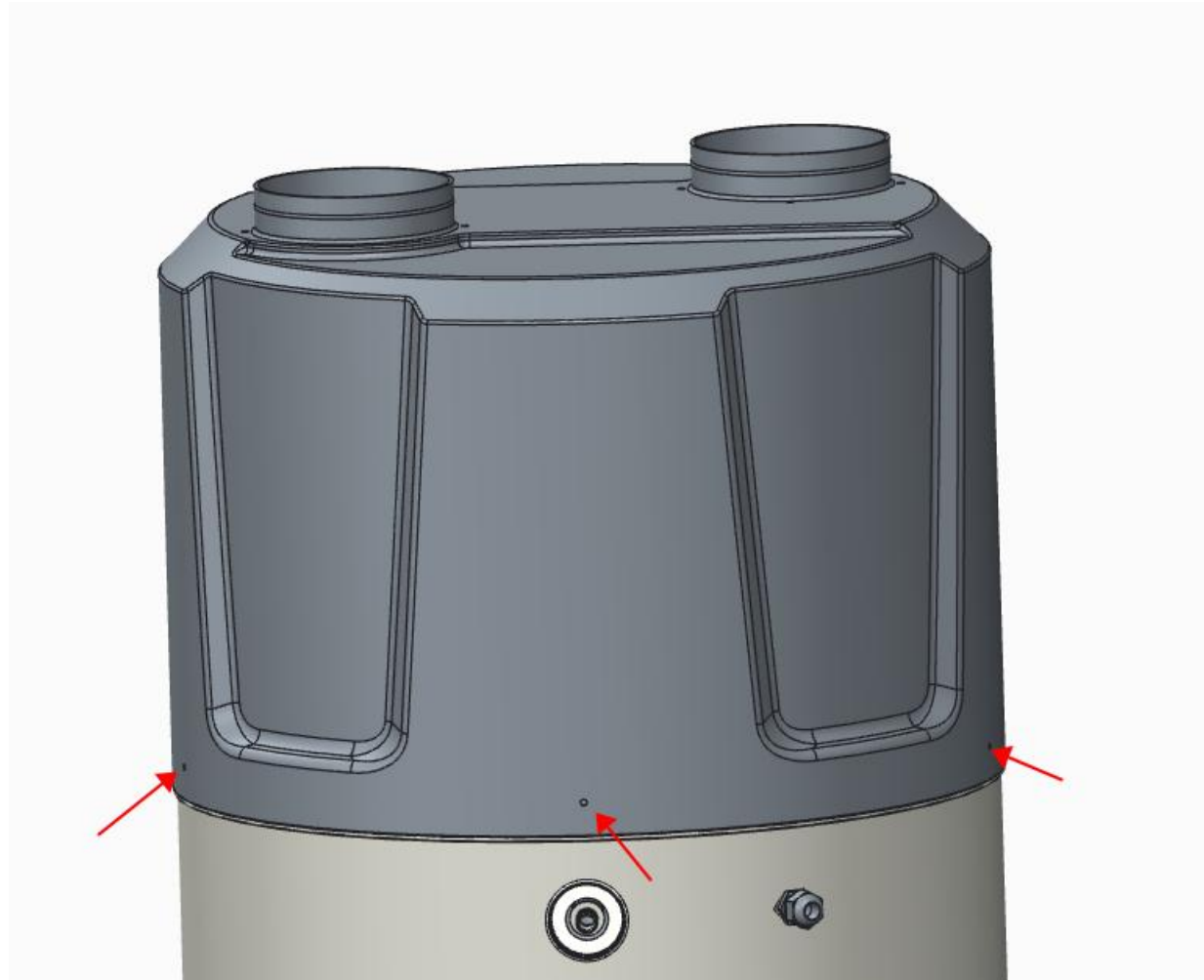
3

Refrigerant Filling



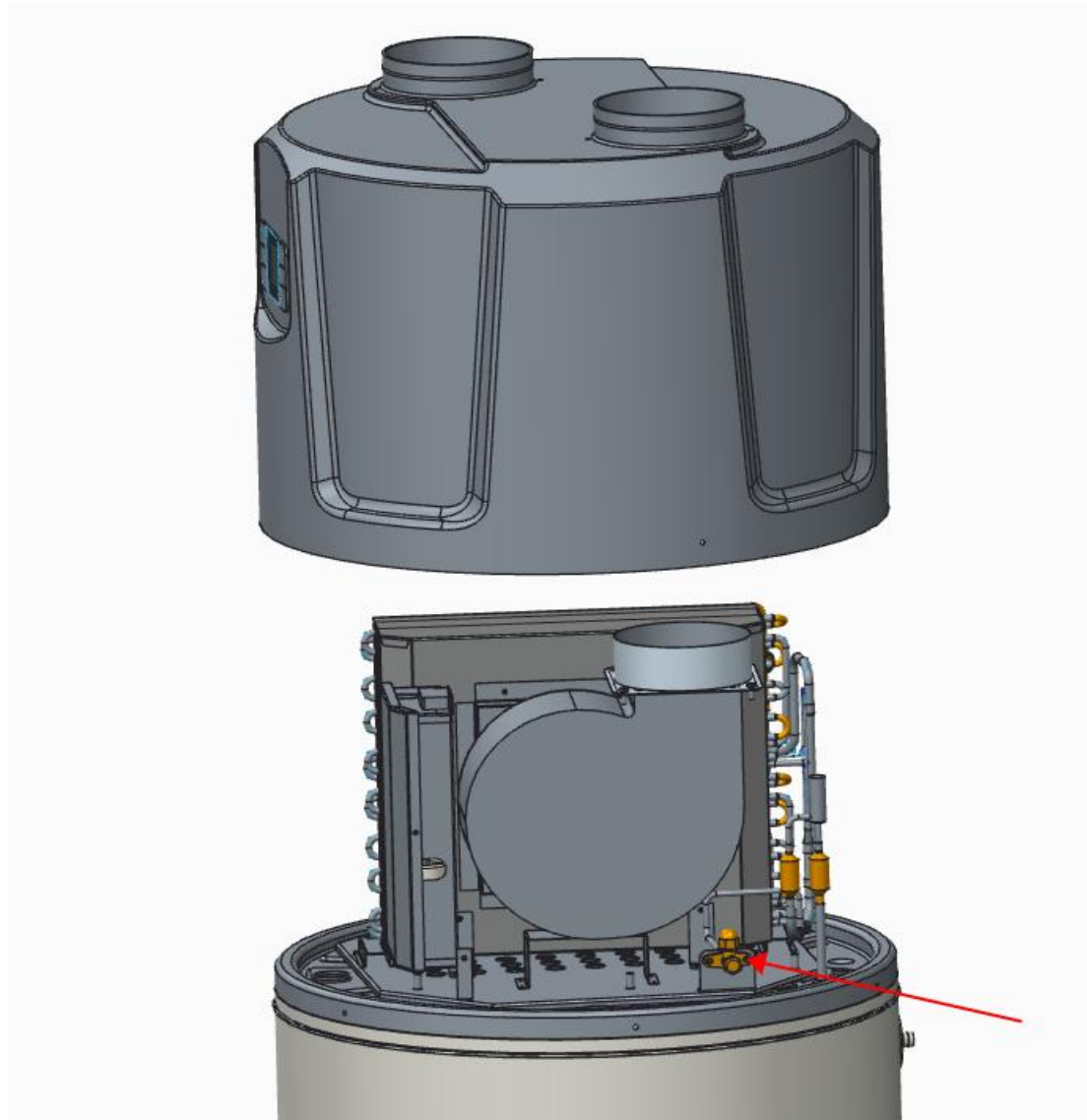
1 Machine disassembly

Unscrew the 3 screws on the top cover and pull it up.



1 Machine disassembly

Lift the top cover and you will see the refrigerant access valve



1

Machine disassembly

2

Vacuuming

3

Refrigerant Filling



2 Vacuuming

NOTE: 1: Before system is charged with refrigerant and before the refrigerating system is put into operation, below site test procedure and acceptance criteria shall be verified by the certified technicians, and/or the installer.



2: Be sure to check whole system for gas leakage.

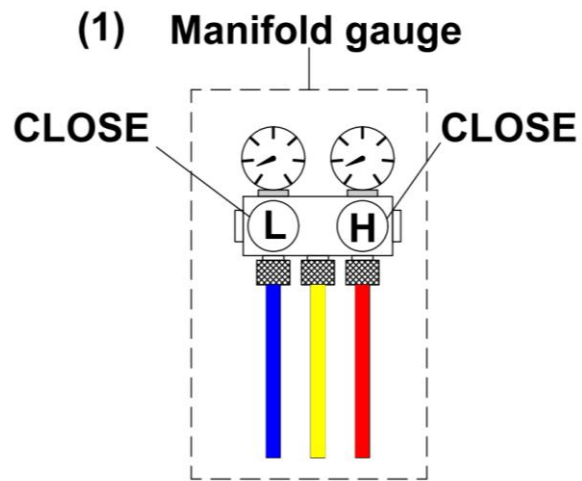


3: This procedure must only be carried out by a trained and qualified technician.

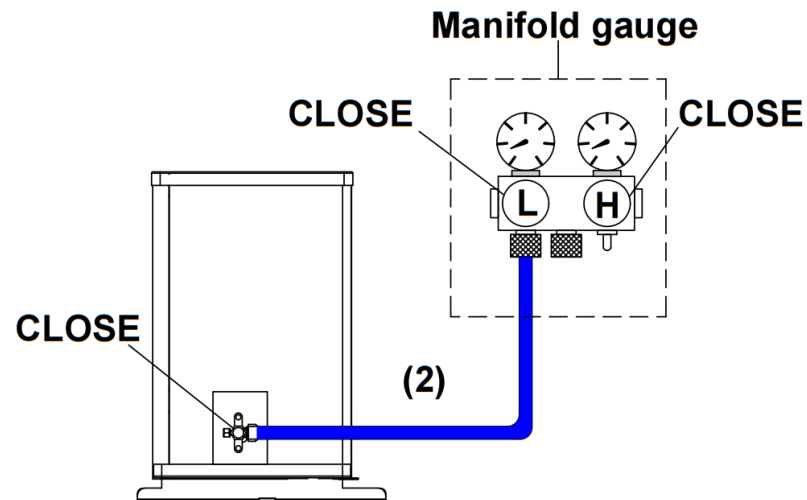
2 Vacuuming

STEP:

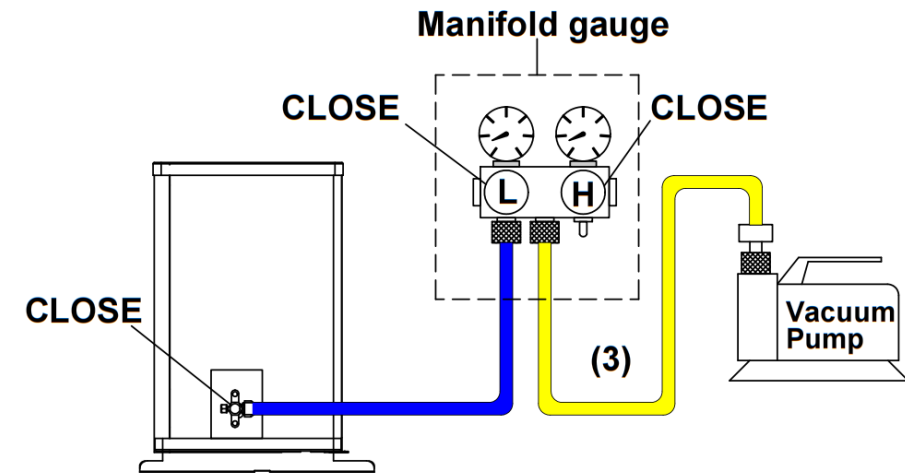
(1) Make sure that both valves of the manifold gauge (low pressure and high pressure) is in close position.



(2) Connect a charging hose with a push pin to the Low side of a charging set and the service port of the 2-way valve.



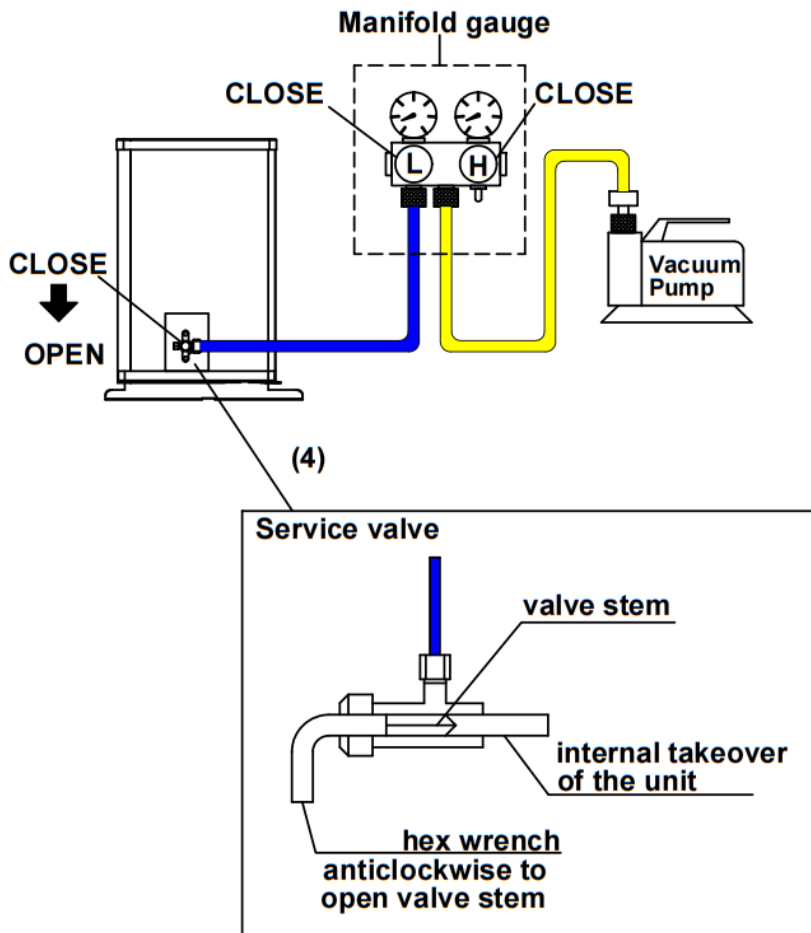
(3) Connect the center hose of the manifold gauge to a vacuum pump.



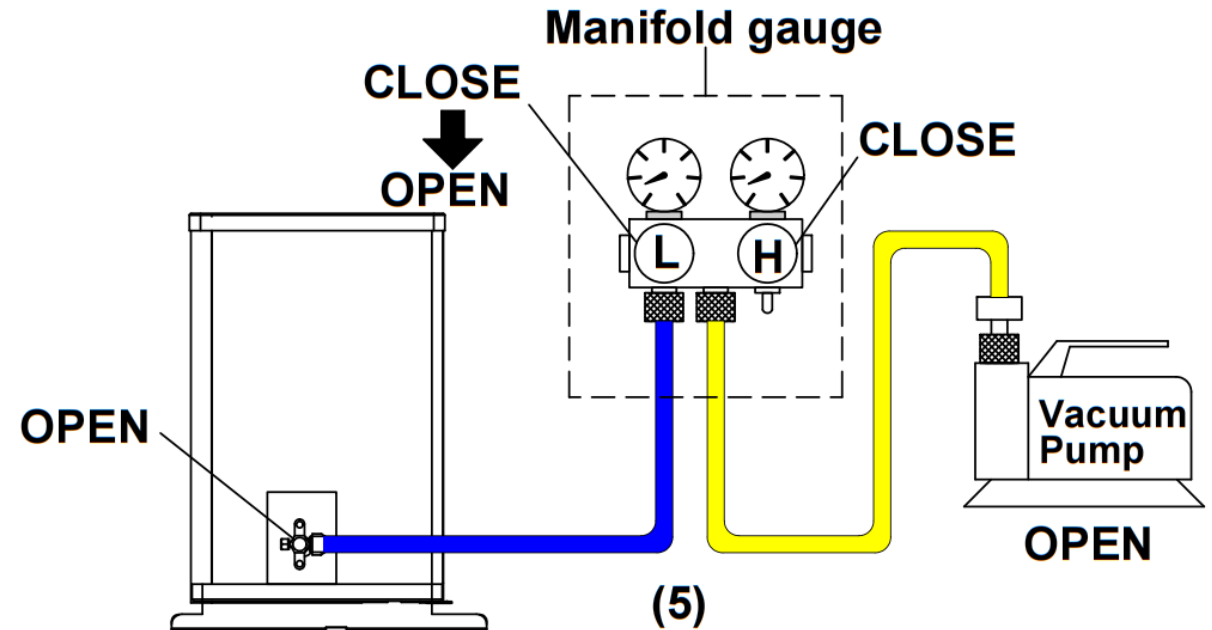
Attach the gauge manifold set correctly and tightly.

2 Vacuuming

(4) Use a hex wrench to open the valve stem in an anticlockwise direction

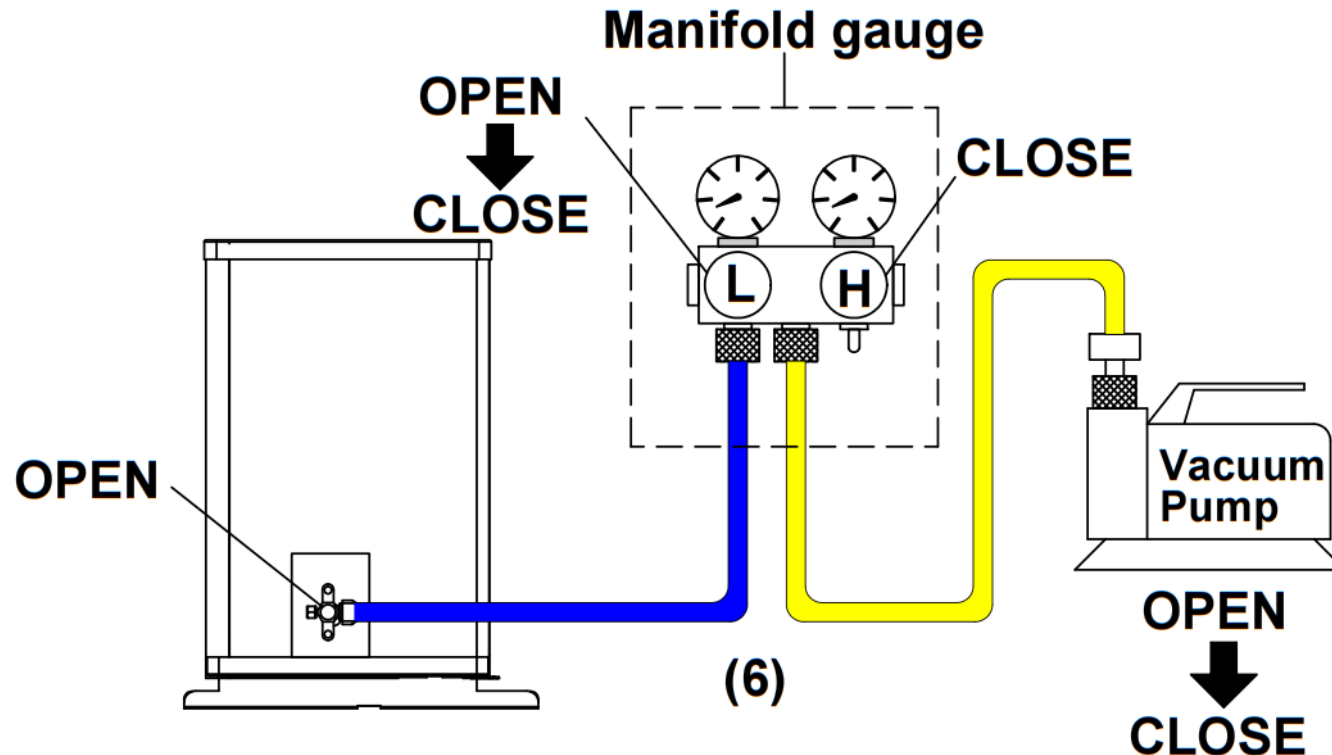


(5) Turn on the power switch of the vacuum pump, then turn open the low side manifold gauge valve



2 Vacuuming

(6) Make sure that the needle in the gauge moves from 0cmHg (0 MPa) to **-76 cmHg (-0.1 MPa)**. This process continues for approximately **20 minutes**. Then close the low side manifold gauge valve and vacuum pump. Wait for more than **1 hour**, confirm that the pressure of the regulating valve has **not increased**



CONTENTS

1

Machine disassembly

2

Vacuuming

3

Refrigerant Filling

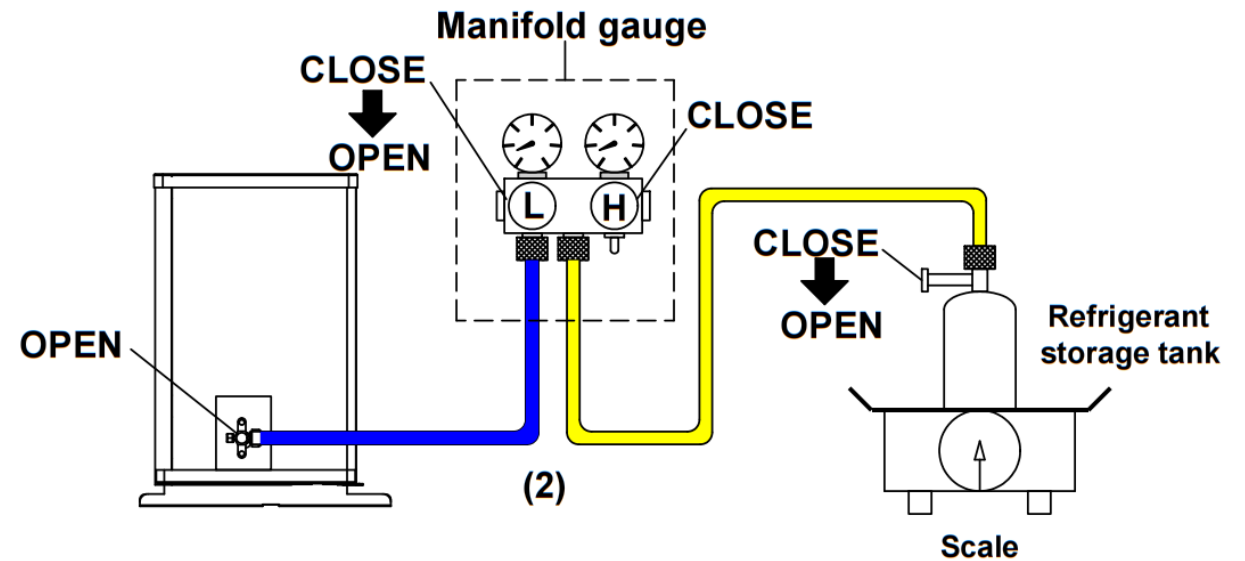
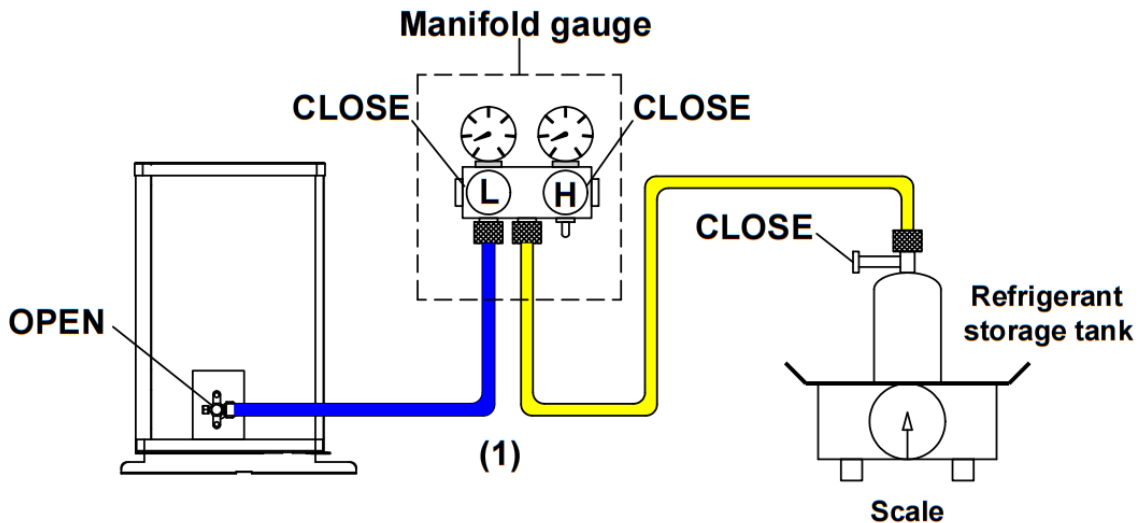


3 Refrigerant Filling

STEP:


(1) Disconnect the manifold hose from the vacuum pump and connect it to the refrigerant storage tank. Before charging, **record the data** on the scale.





(2) Turn open the low side manifold gauge valve, then turn open the refrigerant storage tank stop valve. The refrigerant is filling.



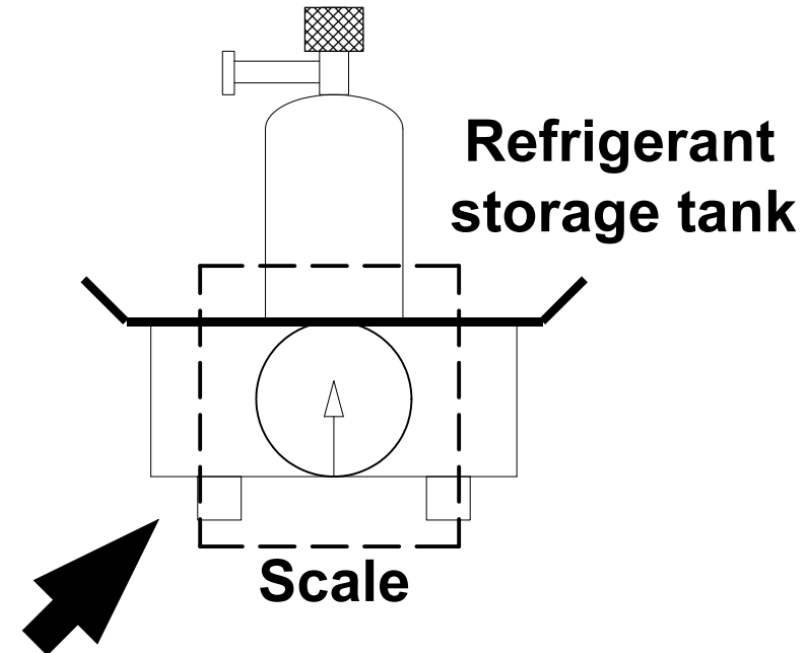
3 Refrigerant Filling

(3) The weight of refrigerant charged by different types is not the same. Please follow the weight of the refrigerant marked on the nameplate.

All-in-One Heat Pump		
Model	BWHHP200R290	
Rated Voltage	220-240V~	
Rated Frequency	50Hz	
Heating Water Production Rate	60L/h	
COP	4.45W/W	
Heating Capacity	2800W	
Max Input Current	3000W	
Max Input Current	13.3A	
Heat Pump	Rated Input Power	629W
	Rated Input Current	2.8A
Supplementary Heater	Input Power	2000W
	Input Current	8.9A
Refrigerant		R290/0.4kg
Rated Water Capacity	200L	
Water Pipe Diameter	DN20	
Water Proof Level	IPX1	
Maximum Allowable Pressure of Heat Exchanger	3.0MPa	
Maximum Allowable Pressure of Exhaust Side	3.0MPa	
Maximum Allowable Pressure of Suction Side	0.8MPa	
Rated Working Pressure of Tank	0.8MPa	
Noise	48dB(A)	
Net Weight	95kg	

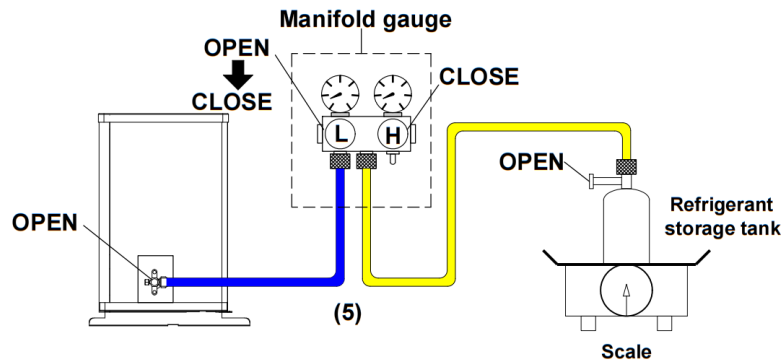
CE    

(4) According to the reading on the scale before filling and the weight of refrigerant required on the nameplate. You can calculate what the reading on the scale is when the filling is complete.

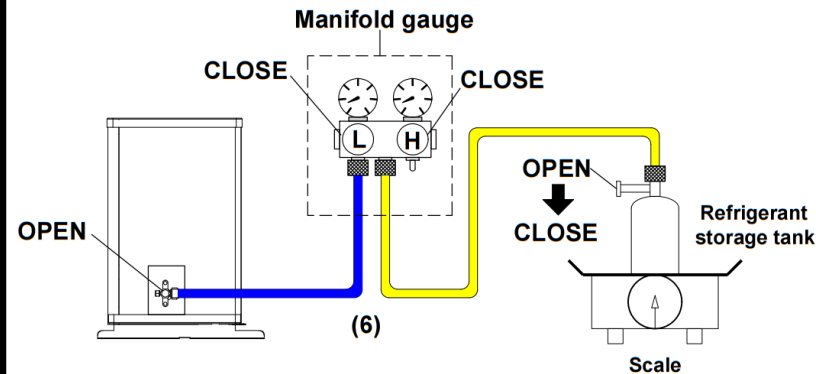


3 Refrigerant Filling

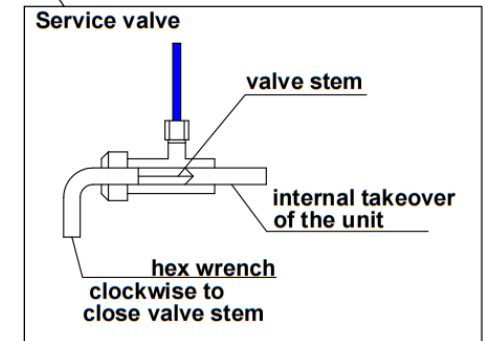
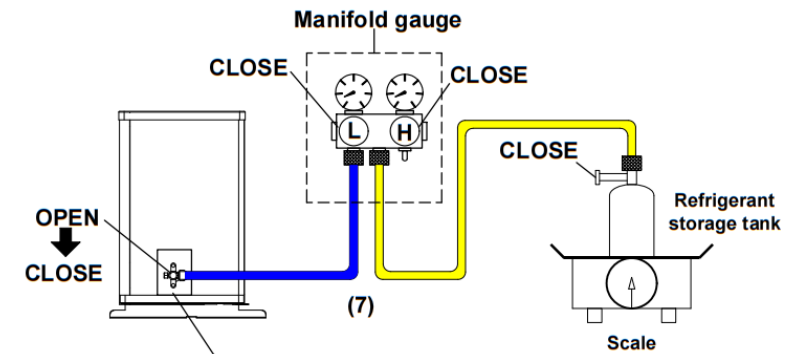
(5) Close the low side manifold gauge valve.



(6) Close the refrigerant storage tank stop valve.



(7) Use a hex wrench to close the valve stem in a clockwise direction. Then disconnect the manifold gauge, cover the valve cap, .





BECKER & WOLF